



## PRIMASTAR GRADES

Primastar's car-like smoothness, precise steering and good visibility give excellent driver control under all conditions. Now with three grades to choose from Primastar offers the ideal van to suit your needs, whether you need a basic workhorse or comfortable cab loaded with car like features.

### E GRADE

#### CARGO AREA ACCESSIBILITY

- Unglazed 180° opening rear doors
- Unglazed nearside (left) sliding door
- Side and rear door-activated loading lamps
- 6 x Floor mounted lashing rings

#### SAFETY AND SECURITY

- ABS
- Driver airbag
- 3-Point seatbelts (x2)
- Seatbelt pre-tensioners
- High mounted rear brake lamp
- 4 Disc brakes (ventilated front)
- Side-impact door bars
- 1/3 Tubular bulkhead behind driver
- Engine immobiliser and alarm
- Remote central locking
- Deadlocking
- 2-Button key

#### COMFORT AND CONVENIENCE

- Single CD player with steering wheel controls
- Aux input socket for MP3 players
- 3-Way adjustable driver's seat with height adjust
- Adjustable single passenger seat
- Tinted windows
- Power assisted steering
- Manual mirrors
- Manual windows
- Tachometer
- Intermittent wash-wipe (windscreen)
- Map lamp
- Dash-mounted gear lever
- Driver and passenger cup holders
- Door pocket with large bottle holder
- Glovebox with CD and sunglasses holder
- Bulkhead coats hooks in cabin

#### OPTIONS

- Metallic paint



## **SE GRADE ADDITIONAL TO E GRADE**

### **SAFETY AND SECURITY**

- Twin passenger seat with additional 3-point seatbelt

### **COMFORT AND CONVENIENCE**

- 3-Button key with opening/locking of selective doors
- Full steel bulkhead
- Power windows
- Power and heated door mirrors
- Nissan Rear Park System (RPS)
- Trip computer
- Bluetooth

### **OPTIONS**

- Metallic paint
- Power take-off
- Digital tachograph
- Off-side (right) unglazed sliding loading door

### **OPTION PACKS**

- Comfort Pack
- Safety Pack
- Glazed Tailgate Pack
- Glazed Rear Doors Pack

## **SE+ GRADE ADDITIONAL TO SE GRADE**

### **SAFETY AND SECURITY**

- ESP
- Fog lamps
- Passenger airbag

### **COMFORT AND CONVENIENCE**

- Air conditioning with pollen filter
- Automatic wipers and lights
- Full wheel trims
- Wooden floor liner
- Leather steering wheel
- Cruise control

### **OPTIONS**

- Metallic paint

|   |                 | MODEL  |           |          |           |          |           |                |          |           |           |           |           |  |
|---|-----------------|--|-----------|----------|-----------|----------|-----------|----------------|----------|-----------|-----------|-----------|-----------|--|
| Length                                  |                 | Short Wheelbase  |           |          |           |          |           | Long Wheelbase |          |           |           |           |           |  |
| Roof height                             |                 | Low  |           |          |           | High     |           | Low            |          |           | High      |           |           |  |
| Engine                                  |                 | dCi115   |           |          |           |          |           | dCi115         |          | dCi150    | dCi115    |           | dCi150    |  |
| Payload                                 |                 | 1T   |           | 1.2T     |           |          |           | 1.2T           |          |           |           |           |           |  |
| Transmission                            |                 | manual   | semi-auto | manual   | semi-auto | manual   | manual    | semi-auto      | manual   | manual    | semi-auto | manual    |           |  |
| <b>ENGINE</b>                           |                 |  |           |          |           |          |           |                |          |           |           |           |           |  |
| No.of cylinders                         |                 | 4  |           |          |           |          |           |                |          |           |           |           |           |  |
| Valves per cylinder                     |                 | 4  |           |          |           |          |           |                |          |           |           |           |           |  |
| Engine capacity                         | cm <sup>3</sup> | 1996   |           |          |           |          |           | 2464           | 1996     |           | 2464      |           |           |  |
| Bore x Stroke                           | mm              | 84x90  |           |          |           |          |           | 89x99          | 84x90    |           | 89x99     |           |           |  |
| Maximum engine power                    | hp              | 115  |           |          |           |          |           | 146            | 115      |           | 146       |           |           |  |
|   | rpm             | 3500   |           |          |           |          |           |                |          |           |           |           |           |  |
| Maximum torque                          | Nm              | 290  |           |          |           |          |           | 320            | 290      |           | 320       |           |           |  |
|   | rpm             | 1600   |           |          |           |          |           | 1500           | 1600     |           | 1500      |           |           |  |
| Compression ratio                       |                 | 15.6:1   |           |          |           |          |           | 17.1:1         | 15.6:1   |           | 17.1:1    |           |           |  |
| Fuel type                               |                 | Diesel   |           |          |           |          |           |                |          |           |           |           |           |  |
| Fuel supply                             |                 | Direct Common Rail   |           |          |           |          |           |                |          |           |           |           |           |  |
| Battery                                 | Ah              | 85   |           |          |           |          |           | 95             | 85       |           | 95        |           |           |  |
| Alternator                              | Amps            | 150  |           |          |           |          |           |                |          |           |           |           |           |  |
| <b>DRIVE TRAIN</b>                      |                 |  |           |          |           |          |           |                |          |           |           |           |           |  |
| Transmission                            |                 | 6 Speed manual/6 Speed semi-automatic  |           |          |           |          |           |                |          |           |           |           |           |  |
| Drive wheels                            |                 | Front  |           |          |           |          |           |                |          |           |           |           |           |  |
| <b>CHASSIS</b>                          |                 |  |           |          |           |          |           |                |          |           |           |           |           |  |
| Suspension                              | Front           | Independent, McPherson strut, coil springs, anti-roll bar  |           |          |           |          |           |                |          |           |           |           |           |  |
|   | Rear            | Torsion beam axle, coil springs with progressive action, shock absorbers with variable damping and anti-roll bar   |           |          |           |          |           |                |          |           |           |           |           |  |
| Steering                                |                 | Rack and pinion, power assisted  |           |          |           |          |           |                |          |           |           |           |           |  |
| Braking system (option)                 |                 | Ventilated discs front : 305mm/28mm, plain discs rear : 280mm/12mm,<br>Hydraulic braking and two independent circuits in "X", power assisted (EBD, 4 sensor ABS) |           |          |           |          |           |                |          |           |           |           |           |  |
| Wheel size                              |                 | 6 J 16   |           |          |           |          |           |                |          |           |           |           |           |  |
| Tyre size                               | Standard        | 205/65   |           |          |           |          |           | 215/65         | 205/65   |           |           |           |           |  |
|   | Optional        | 215/65 R16; 205/65 R16AW   |           |          |           |          |           | 205/65 R16AW   |          |           |           |           |           |  |
| <b>PERFORMANCE</b>                      |                 |  |           |          |           |          |           |                |          |           |           |           |           |  |
| Maximum speed                           | km/h            | 160  |           | 150      |           | 160      |           | 170            | 150      |           | 170       |           |           |  |
|   | mph             | 99.4   |           | 93.2     |           | 99.4     |           | 105.6          | 93.2     |           | 105.6     |           |           |  |
| Min. turning circle (kerb to kerb)      |                 | m  | 11.84     |          |           |          |           |                |          |           |           |           |           |  |
| <b>FUEL CONSUMPTION &amp; EMISSIONS</b> |                 |  |           |          |           |          |           |                |          |           |           |           |           |  |
| Fuel Consumption                        | Urban Cycle     | l/100 Km / MPG   | 8.5/33.2  | 8.5/33.2 | 8.5/33.2  | 8.5/33.2 | 9.5/29.73 | 8.5/33.2       | 8.5/33.2 | 10.5/26.9 | 9.5/29.73 | 8.6/32.85 | 10.5/26.9 |  |
|   | Extra Urban     | l/100 Km / MPG   | 6.8/41.5  | 6.6/42.8 | 6.8/41.5  | 6.6/42.8 | 7.6/37.17 | 6.8/41.5       | 6.6/42.8 | 7.7/36.69 | 7.6/37.17 | 7.6/37.17 | 7.7/36.69 |  |
|   | Combined        | l/100 Km / MPG   | 7.4/38.2  | 7.3/38.7 | 7.4/38.2  | 7.3/38.7 | 8.3/34.03 | 7.4/38.2       | 7.3/38.7 | 8.8/32.10 | 8.3/34.03 | 8/35.31   | 8.8/32.10 |  |
| CO2 mas Emission (Combined)             |                 | gr/Km  | 195       | 192      | 195       | 192      | 220       | 195            | 192      | 232       | 220       | 210       | 232       |  |

| MODEL                              |  |          |                 |           |        |           |        |                |           |        |        |           |        |      |
|------------------------------------|--|----------|-----------------|-----------|--------|-----------|--------|----------------|-----------|--------|--------|-----------|--------|------|
| Length                             |  |          | Short Wheelbase |           |        |           |        | Long Wheelbase |           |        |        |           |        |      |
| Roof height                        |  |          | Low             |           |        | High      |        | Low            |           |        | High   |           |        |      |
| Engine                             |  |          | dCi115          |           |        |           |        | dCi115         |           | dCi150 | dCi115 |           | dCi150 |      |
| Payload                            |  |          | 1T              |           | 1.2T   |           |        | 1.2T           |           |        |        |           |        |      |
| Transmission                       |  |          | manual          | semi-auto | manual | semi-auto | manual | manual         | semi-auto | manual | manual | semi-auto | manual |      |
| WEIGHTS                            |  |          |                 |           |        |           |        |                |           |        |        |           |        |      |
| Kerb weight                        |  | Min.     | kg              | 1678      | 1690   | 1688      | 1701   | 1760           | 1724      | 1737   | 1772   | 1810      | 1823   | 1860 |
| Gross vehicle weight               |  |          | kg              | 2770      | 2735   | 2935      | 2945   | 2920           | 2960      | 2930   | 3035   | 3010      | 3025   | 3065 |
| Maximum payload*                   |  |          | kg              | 1092      | 1045   | 1247      | 1244   | 1160           | 1236      | 1193   | 1263   | 1200      | 1202   | 1205 |
| Gross axle weight                  |  | Front    | kg              | 1450      |        | 1580      |        |                | 1580      |        | 1620   |           |        |      |
|                                    |  | Rear     | kg              | 1550      |        | 1650      |        |                | 1650      |        | 1650   |           |        |      |
| Max trailer weight (1)             |  | Braked   | kg              | 2000      |        |           |        |                |           |        |        |           |        |      |
|                                    |  | Unbraked | kg              | 750       |        |           |        |                |           |        |        |           |        |      |
| OVERALL DIMENSIONS                 |  |          |                 |           |        |           |        |                |           |        |        |           |        |      |
| Length                             |  |          | mm              | 4782      |        |           |        |                | 5182      |        |        |           |        |      |
| Width                              |  |          | mm              | 1904      |        |           |        |                |           |        |        |           |        |      |
| Height (unladen)                   |  | Min.     | mm              | 1955      |        | 1963      |        | 2465           | 1962      |        |        | 2464      |        |      |
| Wheelbase                          |  |          | mm              | 3098      |        |           |        |                | 3498      |        |        |           |        |      |
| Overhang                           |  | Front    | mm              | 833       |        |           |        |                |           |        |        |           |        |      |
|                                    |  | Rear     | mm              | 851       |        |           |        |                |           |        |        |           |        |      |
| Track                              |  | Front    | mm              | 1615      |        |           |        |                |           |        |        |           |        |      |
|                                    |  | Rear     | mm              | 1630      |        |           |        |                |           |        |        |           |        |      |
| Ground clearance (unladen)         |  |          | mm              | 168       | 177    | 178       |        | 177            | 178       |        | 181    | 177       |        | 174  |
| CARGO AREA DIMENSIONS              |  |          |                 |           |        |           |        |                |           |        |        |           |        |      |
| Maximum length                     |  |          | mm              | 2400      |        |           |        |                | 2800      |        |        |           |        |      |
| Maximum width                      |  |          | mm              | 1690      |        |           |        |                |           |        |        |           |        |      |
| Maximum height                     |  |          | mm              | 1387      |        |           | 1913   |                | 1387      |        |        | 1913      |        |      |
| Maximum width between wheel arches |  |          | mm              | 1268      |        |           |        |                |           |        |        |           |        |      |
| Maximum load platform height       |  |          | mm              | 534       |        |           | 527    |                | 533       |        |        | 525       |        |      |
| Cargo volume                       |  |          | m <sup>3</sup>  | 5.02      |        |           | 7.09   |                | 5.94      |        |        | 8.36      |        |      |
| Side door                          |  | Width    | mm              | 1000      |        |           |        |                |           |        |        |           |        |      |
|                                    |  | Height   | mm              | 1285      |        |           |        |                |           |        |        |           |        |      |
| Back door                          |  | Width    | mm              | 1390      |        |           |        |                |           |        |        |           |        |      |
|                                    |  | Height   | mm              | 1335      |        |           | 1818   |                | 1335      |        |        | 1818      |        |      |
| FUEL TANK                          |  |          |                 |           |        |           |        |                |           |        |        |           |        |      |
| Capacity                           |  |          | l               | 90        |        |           |        |                |           |        |        |           |        |      |

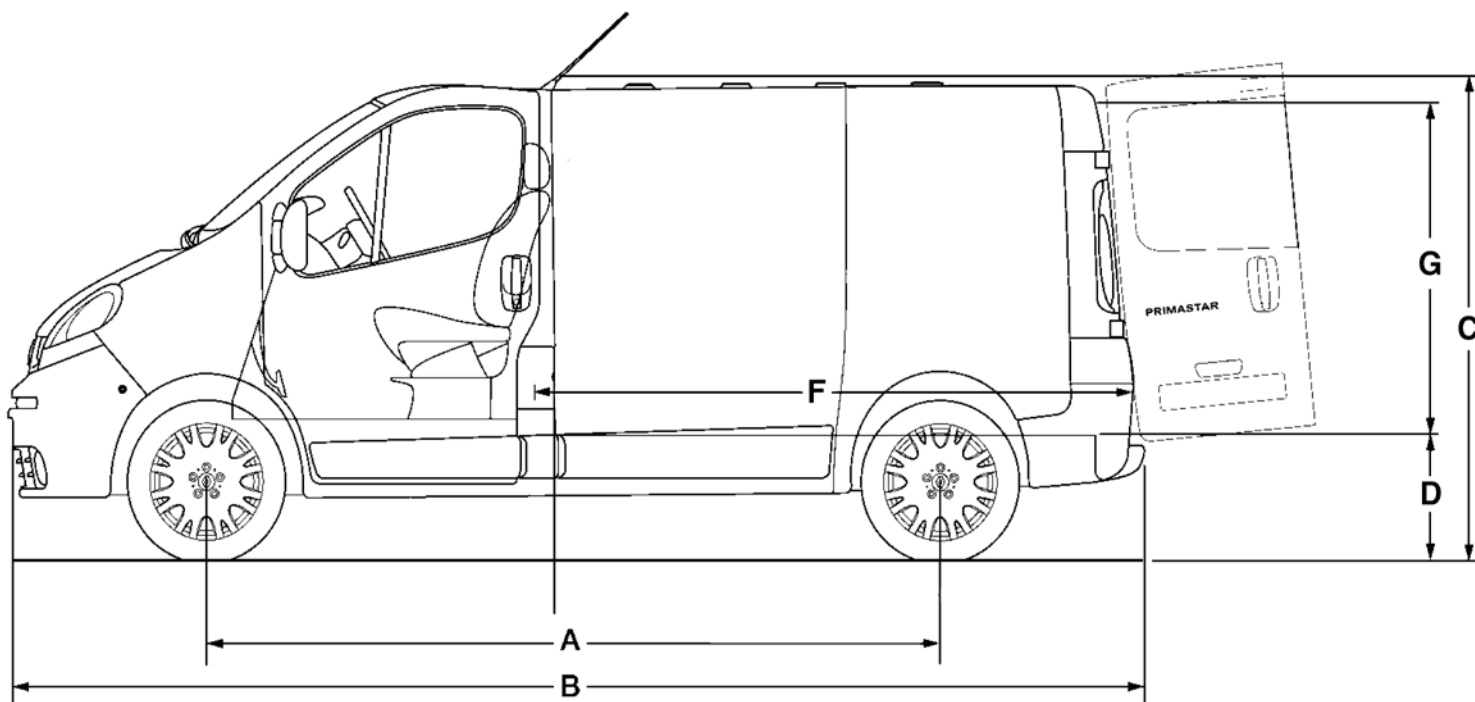
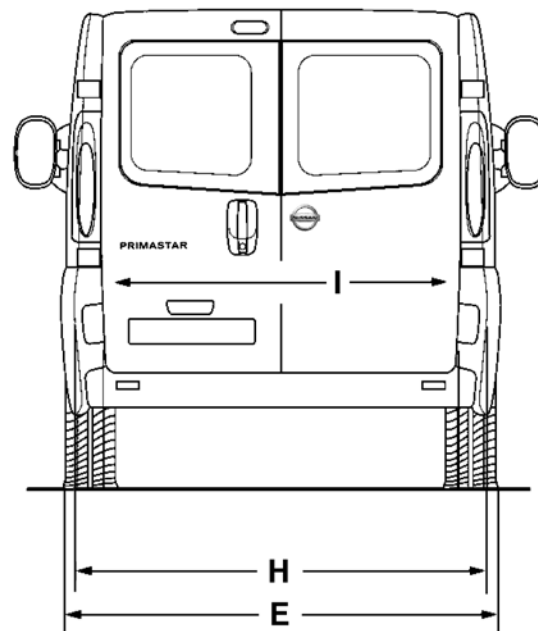
\*GVW minus unladen weight (driver and crew weight must be subtracted).

(1) When a vehicle is fitted with a towbar, it is recommended that a tachograph is fitted, since the ability to tow a trailer giving a Gross Train Weight (GVW + Trailer Weight) of over 3,500Kg without a tachograph could be considered to be contrary to EU and UK road traffic legislation.

| PRIMASTAR                  |   |                 |          |         |          |  |
|----------------------------|---|-----------------|----------|---------|----------|--|
| Dimensions (mm)            |   | Van             |          |         |          |  |
|                            |   | SWB Low         | SWB High | LWB Low | LWB High |  |
| Wheelbase                  | A | 3098            |          | 3498    |          |  |
| Overall length             | B | 4782            |          | 5182    |          |  |
| Overall height             | C | 1955*<br>1963** | 2465     | 1962    | 2464     |  |
| Sill height                | D | 534             | 527      | 533     | 525      |  |
| Overall width              | E | 1904            |          |         |          |  |
| Cargo length               | F | 2400            |          | 2800    |          |  |
| Cargo height               | G | 1387            | 1913     | 1387    | 1913     |  |
| Cargo width                | H | 1690            |          |         |          |  |
| Width between wheel arches | I | 1268            |          |         |          |  |

\*1.0 tonne payload models

\*\*1.2 tonne payload models





## MINIBUS GRADES

The Primastar Minibus is the stylish way to transport up to eight passengers. With the responsiveness of a car and a highly effective braking system of all round disc brakes with ABS and EBD, driver or passenger, everybody can enjoy the ride of the Primastar Minibus. With the availability of several optional extras, it's easy to make the most of the Primastar Minibus, whatever your business; whatever your needs.

### SE GRADE

#### CARGO AREA ACCESSIBILITY

- Rear glazed tailgate
- No bulkhead
- Side and rear door-activated loading lamps
- Rear load area rubber floor covering
- Double sliding doors with opening windows
- Rear wiper
- Heated rear window

#### SAFETY AND SECURITY

- Driver airbag
- Passenger airbag
- Seatbelt pre-tensioners
- High mounted rear brake lamp
- ABS with EBD and EBA
- Panoramic door mirrors
- Side impact door bars
- 4 Disc brakes (ventilated front)
- Nissan Rear Park System (RPS)
- Immobiliser and alarm
- Remote central locking
- Deadlocking
- 3-Button key

#### COMFORT AND CONVENIENCE

- Single CD player with steering wheel controls
- Aux input socket for MP3 players
- 3-Way adjustable driver seat and height adjust
- Twin passenger seat-bench with additional 3-point seatbelt
- Removable 2nd row of seats (bench - 3 seats)
- Foldable and removable 3rd row of seats (bench - 3 seats)
- Power assisted steering
- Reach adjustable steering wheel
- One-touch power windows
- Power and heated door mirrors
- Front body coloured bumper - partly coloured
- 3rd Row area with windows
- Trip computer
- Bluetooth

#### OPTIONS

- Metallic paint
- Digital tachograph and towbar

#### OPTION PACKS

- Comfort Pack
- Safety Pack



| PRIMASTAR MINIBUS          |   |               |                |
|----------------------------|---|---------------|----------------|
| Dimensions (mm)            |   | Minibus       |                |
|                            |   | SWB Low       | LWB Low        |
| Wheelbase                  | A | 3098          | 3498           |
| Overall length             | B | 4782          | 5182           |
| Overall height             | C | 1942 - 1963   |                |
| Sill height                | D | 535           | 532            |
| Overall width              | E | 1904          |                |
| Cargo length               | F | 2360/1548/744 | 2760/1948/1144 |
| Cargo height               | G | 1369          |                |
| Cargo width                | H | 1678          |                |
| Width between wheel arches | I | 1234          |                |



|                                    |  | MODEL   |  |            |                |            |            |           |            |
|------------------------------------|--|---|--|------------|----------------|------------|------------|-----------|------------|
| Length                             |  | Short Wheelbase   |  |            | Long Wheelbase |            |            |           |            |
| Roof height                        |  | Low   |  |            |                |            |            |           |            |
| Engine                             |  | dCi115  |  | dCi150     | dCi115         |            | dCi150     |           |            |
| Gross vehicle weight               |  | 2900  |  |            |                |            |            |           |            |
| Seats                              |  | 9 Seats   |  |            |                |            |            |           |            |
| Transmission                       |  | manual  | semi-auto  |            | manual         | manual     | semi-auto  | manual    |            |
| ENGINE                             |  |   |  |            |                |            |            |           |            |
| No.of cylinders                    |  | 4   |  |            |                |            |            |           |            |
| Valves per cylinder                |  | 4   |  |            |                |            |            |           |            |
| Engine capacity                    |  | cm3   | 1996   |            | 2464           | 1996       |            | 2464      |            |
| Bore x Stroke                      |  | mm  | 84x90  |            | 89x99          | 84x90      |            | 89x99     |            |
| Maximum engine power               |  | hp  | 115  |            | 146            | 115        |            | 146       |            |
|                                    |  | rpm   | 3500   |            |                |            |            |           |            |
| Maximum torque                     |  | Nm  | 290  |            | 320            | 290        |            | 320       |            |
|                                    |  | rpm   | 1600   |            | 1500           | 1600       |            | 1500      |            |
| Compression ratio                  |  | 15.19:1   |  | 18:1       | 15.19:1        |            | 18:1       |           |            |
| Fuel type                          |  | Diesel  |  |            |                |            |            |           |            |
| Fuel supply                        |  | Direct Common Rail  |  |            |                |            |            |           |            |
| Battery                            |  | Ah  | 85   |            | 95             | 85         |            | 95        |            |
| Alternator                         |  | Amps  | 150  |            |                |            |            |           |            |
| DRIVE TRAIN                        |  |   |  |            |                |            |            |           |            |
| Transmission                       |  | 6 speed manual/6 speed semi-automatic   |  |            |                |            |            |           |            |
| Drive wheels                       |  | Front   |  |            |                |            |            |           |            |
| CHASSIS                            |  |   |  |            |                |            |            |           |            |
| Suspension                         |  | Front   | Independent, McPherson strut, coil springs, anti-roll bar  |            |                |            |            |           |            |
|                                    |  | Rear  | Torsion beam axle, coil springs with progressive action, shock absorbers with variable damping and anti-roll bar |            |                |            |            |           |            |
| Steering                           |  | Rack and pinion, power assisted   |  |            |                |            |            |           |            |
| Braking system (option)            |  | Ventilated discs front : 305mm/28mm, plain discs rear : 280mm/12mm, Hydraulic braking and two independent circuits in "X", power assisted (EBD, 4 sensor ABS) |  |            |                |            |            |           |            |
| Wheel size                         |  | 6 J 16  |  |            |                |            |            |           |            |
| Tyre size                          |  | 205/65 R16C   |  | 215/65 R16 | 205/65 R16C    |            | 215/65 R16 |           |            |
| PERFORMANCE                        |  |   |  |            |                |            |            |           |            |
| Maximum speed                      |  | km/h  | 160  |            | 170            | 160        |            | 170       |            |
|                                    |  | mph   | 99.4   |            | 105.6          | 99.4       |            | 105.6     |            |
| Min. turning circle (kerb to kerb) |  | m   | 11.84  |            |                | 13.17      |            |           |            |
| FUEL CONSUMPTION & EMISSIONS       |  |   |  |            |                |            |            |           |            |
| Fuel Consumption                   |  | Urban Cycle   | l/100 Km / MPG   | 9.2/30.70  | 8.5/33.23      | 10.5/26.90 | 9.2/30.70  | 8.5/33.23 | 10.5/26.90 |
|                                    |  | Extra-Urban   | l/100 Km / MPG   | 6.8/41.54  | 7.0/40.35      | 7.7/36.69  | 6.8/41.54  | 7.0/40.35 | 7.7/36.69  |
|                                    |  | Combined  | l/100 Km / MPG   | 7.7/36.69  | 7.5/37.66      | 8.8/32.10  | 7.7/36.69  | 7.5/37.66 | 8.8/32.10  |
| CO2 mas Emission (Combined)        |  | gr/Km   | 203  | 199        | 232            | 203        | 199        | 232       |            |

| MODEL                              |          |                 |               |        |        |                |        |        |
|------------------------------------|----------|-----------------|---------------|--------|--------|----------------|--------|--------|
| Length                             |          | Short Wheelbase |               |        |        | Long Wheelbase |        |        |
| Roof height                        |          | Low             |               |        |        |                |        |        |
| Engine                             |          | dCi115          |               | dCi150 |        | dCi115         |        | dCi150 |
| Gross vehicle weight               |          | 2900            |               |        |        |                |        |        |
| Seats                              |          | 9 Seats         |               |        |        |                |        |        |
| Engine capacity                    |          | manual          | semi-auto     | manual | manual | semi-auto      | manual |        |
| WEIGHTS*                           |          |                 |               |        |        |                |        |        |
| Kerb weight                        | Min.     | kg              | 1893          | 1908   | 1942   | 1954           | 1968   | 2002   |
| Gross vehicle weight               |          |                 | 2920          | 2930   | 2970   | 3040           | 3050   | 3070   |
| Maximum payload*                   |          |                 | 1027          | 1022   | 1028   | 1086           | 1082   | 1068   |
| Gross axle weight                  | Front    | kg              | 1580          |        |        | 1620           |        | 1645   |
|                                    | Rear     | kg              | 1650          |        |        |                |        |        |
| Max trailer weight (1)             | Braked   | kg              | 2000          |        |        |                |        |        |
|                                    | Unbraked | kg              | 750           |        |        |                |        |        |
| OVERALL DIMENSIONS                 |          |                 |               |        |        |                |        |        |
| Length                             |          | mm              | 4782          |        |        | 5182           |        |        |
| Width (Excluding side mirrors)     |          | mm              | 1904          |        |        |                |        |        |
| Height (unladen)                   | Min.     | mm              | 1942          | 1958   | 1952   | 1954           |        |        |
| Wheelbase                          |          | mm              | 3098          |        |        | 3498           |        |        |
| Overhang                           | Front    | mm              | 833           |        |        |                |        |        |
|                                    | Rear     | mm              | 851           |        |        |                |        |        |
| Track                              | Front    | mm              | 1615          |        |        |                |        |        |
|                                    | Rear     | mm              | 1630          |        |        |                |        |        |
| Ground clearance (unladen)         |          | mm              | 180           | 183    | 179    | 177            |        |        |
| CARGO AREA DIMENSIONS              |          |                 |               |        |        |                |        |        |
| Maximum length                     |          | mm              | 2360/1548/744 |        |        | 2760/1948/1144 |        |        |
| Maximum width                      |          | mm              | 1678          |        |        |                |        |        |
| Maximum height                     |          | mm              | 1369          |        |        |                |        |        |
| Maximum width between wheel arches |          | mm              | 1234          |        |        |                |        |        |
| Maximum load platform height       |          | mm              | 535           | 541    | 532    | 540            |        |        |
| Cargo volume                       |          | m <sup>3</sup>  | 1.24          |        |        | 2.15           |        |        |
| Side door                          | Width    | mm              | 1000          |        |        |                |        |        |
|                                    | Height   | mm              | 1285          |        |        |                |        |        |
| Back door                          | Width    | mm              | 1390          |        |        |                |        |        |
|                                    | Height   | mm              | 1306          |        |        |                |        |        |
| FUEL TANK                          |          |                 |               |        |        |                |        |        |
| Capacity                           |          | l               | 90            |        |        |                |        |        |

\*Weights and dimensions for 3 seats/6 seats/9 seats versions without options, driver and passengers, including coolant, oils, spare wheel, tools and 90% full fuel.

\*GVW minus unladen weight (driver and crew weight must be subtracted).

(1) When a vehicle is fitted with a towbar, it is recommended that a tachograph is fitted, since the ability to tow a trailer giving a Gross Train Weight (GVW + Trailer Weight) of over 3,500Kg without a tachograph could be considered to be contrary to EU and UK road traffic legislation.

# PRIMASTAR VAN

| Wheelbase | Engine  | Roof | GVW (kg) | Grade | Power | Payload (kg) | Transmission | Basic Delivered | VED + 1st Reg | Basic On The Road |
|-----------|---------|------|----------|-------|-------|--------------|--------------|-----------------|---------------|-------------------|
| Short     | 2.0 dCi | Low  | 2,700    | E     | 115HP | 1,000        | 6 manual     | 16,380          | 265           | 16,645            |
|           | 2.0 dCi | Low  | 2,700    | SE    | 115HP | 1,000        | 6 manual     | 16,880          | 265           | 17,145            |
|           | 2.0 dCi | Low  | 2,700    | SE+   | 115HP | 1,000        | 6 manual     | 17,980          | 265           | 18,245            |
|           | 2.0 dCi | Low  | 2,700    | SE    | 115HP | 1,000        | 6 Semi-auto  | 17,680          | 265           | 17,945            |
|           | 2.0 dCi | Low  | 2,700    | SE+   | 115HP | 1,000        | 6 Semi-auto  | 18,780          | 265           | 19,045            |
|           | 2.0 dCi | Low  | 2,900    | E     | 115HP | 1,200        | 6 manual     | 16,780          | 265           | 17,045            |
|           | 2.0 dCi | Low  | 2,900    | SE    | 115HP | 1,200        | 6 manual     | 17,280          | 265           | 17,545            |
|           | 2.0 dCi | Low  | 2,900    | SE+   | 115HP | 1,200        | 6 manual     | 18,380          | 265           | 18,645            |
|           | 2.0 dCi | Low  | 2,900    | SE    | 115HP | 1,200        | 6 Semi-auto  | 18,080          | 265           | 18,345            |
|           | 2.0 dCi | Low  | 2,900    | SE+   | 115HP | 1,200        | 6 Semi-auto  | 19,180          | 265           | 19,445            |
|           | 2.0 dCi | High | 2,900    | E     | 115HP | 1,200        | 6 manual     | 17,480          | 265           | 17,745            |
|           | 2.0 dCi | High | 2,900    | SE    | 115HP | 1,200        | 6 manual     | 17,980          | 265           | 18,245            |
|           | 2.0 dCi | High | 2,900    | SE+   | 115HP | 1,200        | 6 manual     | 19,080          | 265           | 19,345            |

| Wheelbase | Engine  | Roof | GVW (kg) | Grade | Power | Payload (kg) | Transmission | Basic Delivered | VED + 1st Reg | Basic On The Road |
|-----------|---------|------|----------|-------|-------|--------------|--------------|-----------------|---------------|-------------------|
| Long      | 2.0 dC  | Low  | 2,900    | E     | 115HP | 1,200        | 6 manual     | 17,580          | 265           | 17,845            |
|           | 2.0 dCi | Low  | 2,900    | SE    | 115HP | 1,200        | 6 manual     | 18,080          | 265           | 18,345            |
|           | 2.0 dCi | Low  | 2,900    | SE+   | 115HP | 1,200        | 6 manual     | 19,180          | 265           | 19,445            |
|           | 2.0 dCi | Low  | 2,900    | SE    | 115HP | 1,200        | 6 Semi-auto  | 18,880          | 265           | 19,145            |
|           | 2.0 dCi | Low  | 2,900    | SE+   | 115HP | 1,200        | 6 Semi-auto  | 19,980          | 265           | 20,245            |
|           | 2.0 dCi | High | 2,900    | E     | 115HP | 1,200        | 6 manual     | 18,280          | 265           | 18,545            |
|           | 2.0 dCi | High | 2,900    | SE    | 115HP | 1,200        | 6 manual     | 18,780          | 265           | 19,045            |
|           | 2.0 dCi | High | 2,900    | SE+   | 115HP | 1,200        | 6 manual     | 19,880          | 265           | 20,145            |
|           | 2.0 dCi | High | 2,900    | SE    | 115HP | 1,200        | 6 Semi-auto  | 19,580          | 265           | 19,845            |
|           | 2.0 dCi | High | 2,900    | SE+   | 115HP | 1,200        | 6 Semi-auto  | 20,680          | 265           | 20,945            |
|           | 2.5 dCi | Low  | 2,900    | SE    | 150HP | 1,200        | 6 manual     | 19,280          | 265           | 19,545            |
|           | 2.5 dCi | Low  | 2,900    | SE+   | 150HP | 1,200        | 6 manual     | 20,380          | 265           | 20,645            |
|           | 2.5 dCi | High | 2,900    | SE    | 150HP | 1,200        | 6 manual     | 19,980          | 265           | 20,245            |
|           | 2.5 dCi | High | 2,900    | SE+   | 150HP | 1,200        | 6 manual     | 21,080          | 265           | 21,345            |

## PRIMASTAR CREW VAN\*

| Wheelbase | Engine  | Roof | GVW (kg) | Grade | Power | Payload (kg) | Transmission | Basic Delivered | VED + 1st Reg | Basic On The Road |
|-----------|---------|------|----------|-------|-------|--------------|--------------|-----------------|---------------|-------------------|
| Short     | 2.0 dCi | Low  | 2,900    | SE    | 115HP | 1,200        | 6 manual     | 19,380          | 265           | 19,645            |
| Long      | 2.0 dCi | Low  | 2,900    | SE    | 115HP | 1,200        | 6 manual     | 20,180          | 265           | 20,445            |

The Basic Delivered price excludes VAT but includes delivery to the dealership and number plates. The Basic On The Road price excludes VAT but includes delivery to the dealership, number plates, 12 months Vehicle Excise Duty (£210) and Government First Registration Fee of £55.

\* Special build conversions may be subject to extended delivery.

# PRIMASTAR OPTIONS

|  | E | SE | SE+ | Crew Van SE | Basic Price |
|--|---|----|-----|-------------|-------------|
| Metallic paint   | ○ | ○  | ○   | ○           | 350         |
| Power Take-Off (not compatible with air con or semi auto transmission) |   | ○  |     |             | 120         |
| Digital Tachograph   |   | ○  |     |             | 500         |
| Offside (right) Sliding Door   |   | ○  |     | ●           | 250         |
| Loading ladder (prices from)   | □ | □  | □   | □           | 115.88      |
| Roof rack (prices from)  | □ | □  | □   | □           | 517.98      |
| Single roof bar  | □ | □  | □   | □           | 103.10      |
| Towbar (fixed) and single electrics                                    | □ | □  | □   | □           | 306.25      |
| <b>OPTION PACKS</b>  |   |    |     |             |             |
| Comfort Pack   |   | ○  |     |             | 675         |
| - Air Conditioning with Pollen Filter                                  |   |    |     |             |             |
| - Driver Seat Armrest  |   |    |     |             |             |
| - Front Fog Lamps  |   |    |     |             |             |
| - Intelligent Wipers   |   |    |     |             |             |
| - Automatic Lighting System  |   |    |     |             |             |
| Safety Pack  |   | ○  |     |             | 500         |
| - Front Fog Lamps  |   |    |     |             |             |
| - Passenger Airbag   |   |    |     |             |             |
| - ESP  |   |    |     |             |             |
| Glazed Tailgate Pack   |   | ○  |     |             | 250         |
| - Rear Glazed Tailgate with Wiper                                      |   |    |     |             |             |
| - Heated Rear Windows  |   |    |     |             |             |
| - Glazed Bulkhead with Rearview Mirror                                 |   |    |     |             |             |
| Glazed Rear Doors Pack - with Glazed Bulkhead                          |   | ○  |     |             | 200         |
| - Glazed Rear Doors 180° Opening with Wiper                            |   |    |     |             |             |
| - Glazed Bulkhead and Interior Rearview Mirror                         |   |    |     |             |             |
| - Heated Rear Windows  |   |    |     |             |             |

For latest information on options that can be combined together, please contact your local Nissan Dealer.  
 Dealer fit option prices include fitting but are only a guide. Please check with your local Nissan dealer for exact prices.

Optional - ○ Standard - ● Optional Dealer Fit - □



## PRIMASTAR MINIBUS

| Wheelbase | Engine  | Roof | GVW (kg) | Grade | Power | Transmission | Basic Delivered | VAT   | Total Retail | On The Road |
|-----------|---------|------|----------|-------|-------|--------------|-----------------|-------|--------------|-------------|
| Short     | 2.0 dCi | Low  | 2,900    | SE    | 115HP | 6 manual     | 19,550          | 3,910 | 23,460       | 24,095      |
| Short     | 2.0 dCi | Low  | 2,900    | SE    | 115HP | 6 Semi-auto  | 20,350          | 4,070 | 24,420       | 25,055      |
| Short     | 2.5 dCi | Low  | 2,900    | SE    | 150HP | 6 manual     | 20,750          | 4,150 | 24,900       | 25,745      |
| Long      | 2.0 dCi | Low  | 2,900    | SE    | 115HP | 6 manual     | 20,350          | 4,070 | 24,420       | 25,055      |
| Long      | 2.0 dCi | Low  | 2,900    | SE    | 115HP | 6 Semi-auto  | 21,150          | 4,230 | 25,380       | 26,015      |
| Long      | 2.5 dCi | Low  | 2,900    | SE    | 150HP | 6 manual     | 21,550          | 4,310 | 25,860       | 26,705      |

Basic and Total Retail prices include delivery to the Dealership and number plates. On The Road price includes 12 months Government Vehicle Excise Duty (£580 on 2.0 and £790 on 2.5) and Government First Registration fee of £55.

# PRIMASTAR MINIBUS OPTIONS

|   | SE | Basic Price | VAT    | Total  |
|---|----|-------------|--------|--------|
| Metallic paint                                    | ○  | 350         | 70     | 420    |
| Digital Tachograph and Towbar                     | ○  | 825         | 165    | 990    |
| Loading Ladder                                    | □  | 115.88      | 23.18  | 139.06 |
| Roof Rack   | □  | 517.98      | 103.60 | 621.58 |
| Single roof bar                                   | □  | 103.10      | 20.62  | 123.72 |
| <b>OPTIONS PACKS</b>                              |    |             |        |        |
| Comfort Pack                                      | ○  | 1,250       | 250    | 1500   |
| - Air Conditioning (front & rear) + Pollen Filter |    |             |        |        |
| - Front Armrest                                   |    |             |        |        |
| - Intelligent Wipers                              |    |             |        |        |
| - Automatic Lighting System                       |    |             |        |        |
| - Front Fog Lamps                                 |    |             |        |        |
| Safety Pack                                       | ○  | 750         | 150    | 900    |
| - Rear Airbag                                     |    |             |        |        |
| - Front Side Airbags                              |    |             |        |        |
| - Front Fog Lamps                                 |    |             |        |        |
| - ESP (on manual gearbox variants)                |    |             |        |        |
| - Intelligent Wipers                              |    |             |        |        |
| - Automatic Lighting System                       |    |             |        |        |

Dealer fit option prices include fitting but are only a guide. Please check with your local Nissan dealer for exact prices

Optional - ○ Optional Dealer Fit - □